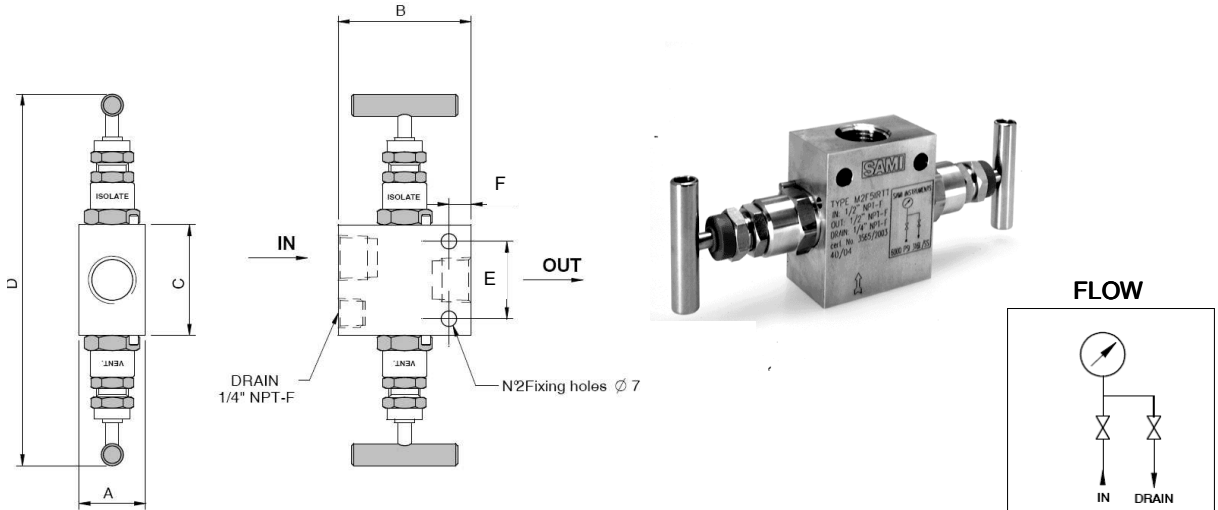




### Two Valve Manifolds 6.000 psi & 10.000

This series of two-valve manifolds combines valves into one block to perform isolation, bleed and calibration of pressure transmitters, gauges and switches. Process, Instrument and Vent connections can be provided in a variety of sizes and threaded forms including NPT, BSPT and BSPP. Several models of brackets are supplied to realize the installation both in site and on panels.



#### Features

- Tee bar easy manoeuvrability with minimum effort
- PTFE packing standard, optional graphoil
- Stainless steel construction as standard, optional: See material list
- Colour coded functional identification
- Externally adjustable gland
- Variety of end connections
- Dust cap to prevent contaminations on the operating thread

#### Specifications

- Pressure up to 10,000 Psi ( 690 Bar )
- Temperature rating PTFE packing from  $-73^{\circ}\text{C}$  to  $+210^{\circ}\text{C}$  (  $-99^{\circ}\text{F}$  /  $+410^{\circ}\text{F}$  )
- Temperature rating GRAPHOIL packing from  $-54^{\circ}\text{C}$  to  $+510^{\circ}\text{C}$  (  $-65^{\circ}\text{F}$  /  $+950^{\circ}\text{F}$  )
- Standard orifice diameter 4.0 mm
- Standard 316L stainless steel

Order code	Connections		A	B	C	D	E	F	Orifice	Weight
	Inlet	Outlet								
2050CBABABAA	1/4 "	1/4 "	30.00	60.00	50.00	168.00	35.00	35.00	4.00	Kg. 0,90
2050CDADABAA	1/2 "	1/2 "	30.00	60.00	50.00	168.0	35.00	35.00	4.00	Kg. 0.90

**Note:** For 10,000 psi version change the first letter of the code ( usually " C " ) in " D " i.e. 2050DBABABAA  
Material of construction can be supplied to meet the requirements of NACE MR 01-75



**SAMI instruments srl**  
via Botte, 8  
35011 Reschigliano  
di Campodarsego • PD • Italy

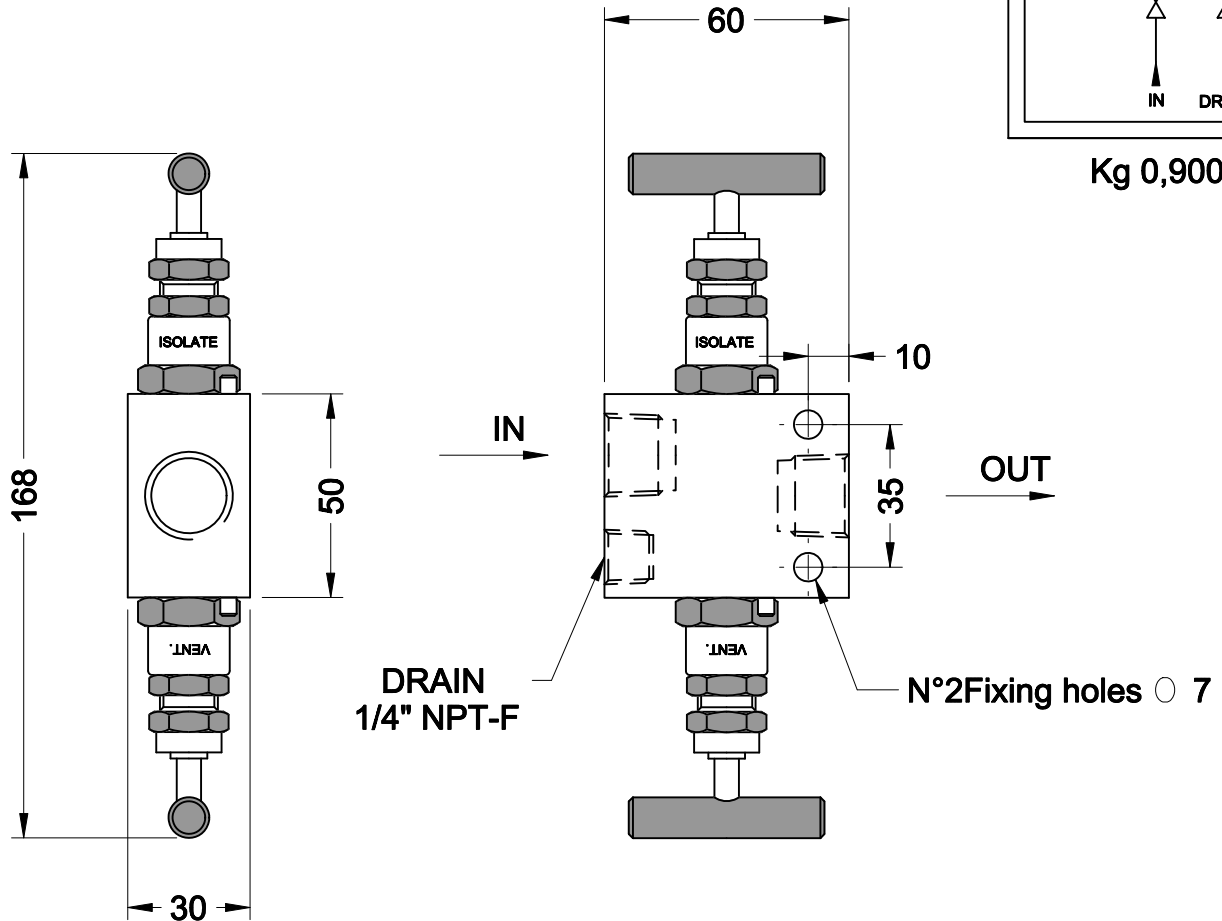
tel. +39 049 9201939  
fax +39 049 9217549  
info@sami-instruments.com  
www.sami-instruments.com



# 2050



**MANIFOLD DA BARRA A 2 VALVOLE serie 6000 p.s.i.**  
**FILETTATO/FILETTATO Femmina/Femmina a 180° con spurgo 1/4" NPT-F**  
**TWO VALVE BAR STOCK MANIFOLD rating 6000 p.s.i.**  
**THREADED/THREADED Female/Female 180°connection with 1/4" NPT-F drain**



Kg 0,900

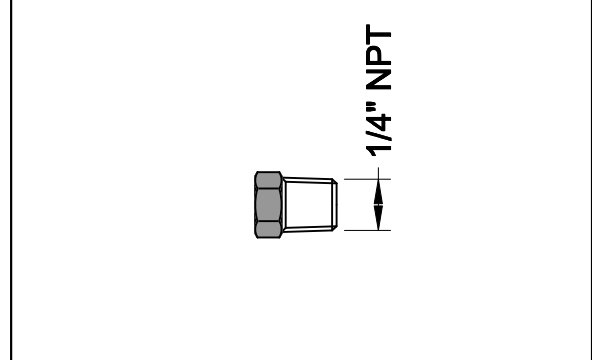
SCALA 1:2

Codice Code	Entrata In	Uscita Out	Materiale Material	Tenuta Packing
2050CDADAABA	1/2" NPT-F	1/2" NPT-F	Carbon steel	Graphoil
2050CDADAAA	1/2" NPT-F	1/2" NPT-F	Carbon steel	PTFE
2050CDADABBA	1/2" NPT-F	1/2" NPT-F	AISI 316L	Graphoil
2050CDADABAA	1/2" NPT-F	1/2" NPT-F	AISI 316L	PTFE
2050CDADAFAA	1/2" NPT-F	1/2" NPT-F	MONEL400	PTFE
2050CDADAGAA	1/2" NPT-F	1/2" NPT-F	HASTELLOY C276	PTFE

A richiesta del cliente esecuzioni speciali di materiali, attacchi entrata/uscita, ecc.  
 Special executions of materials, in / out connections, etc. are available on customer's request

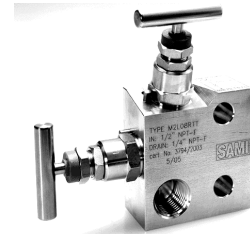
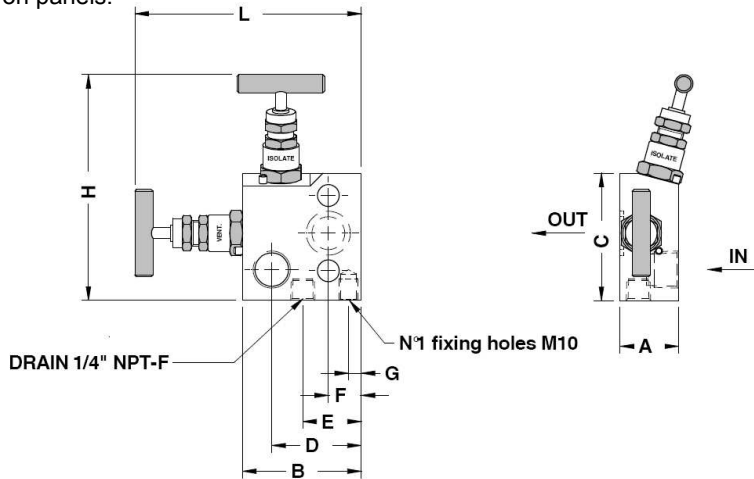
**Accessori inclusi**  
**Included accessories**

tappo plug	Q.TY 1
------------	--------

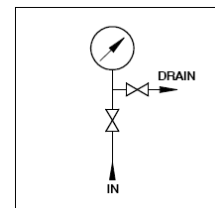


## Two Valve Manifolds 6.000 psi & 10.000

This series of two-valve manifolds combines valves into one block to perform isolation, bleed and calibration of pressure transmitters, gauges and switches. Process, Instrument and Vent connections can be provided in a variety of sizes and threaded forms including NPT, BSPT and BSPP. Several models of brackets are supplied to realize the installation both in site and on panels.



**FLOW**



### Features

- Tee bar easy manoeuvrability with minimum effort
- PTFE packing standard, optional graphoil
- Stainless steel construction as standard, optional: See material list
- Colour coded functional identification
- Externally adjustable gland
- Variety of end connections
- Dust cap to prevent contaminations on the operating thread

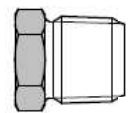
### Specifications

- Pressure up to 10,000 Psi ( 690 Bar )
- Temperature rating PTFE packing from  $-73^{\circ}\text{C}$  to  $+210^{\circ}\text{C}$  (  $-99^{\circ}\text{F}$  /  $+410^{\circ}\text{F}$  )
- Temperature rating GRAPHOIL packing from  $-54^{\circ}\text{C}$  to  $+510^{\circ}\text{C}$  (  $-65^{\circ}\text{F}$  /  $+950^{\circ}\text{F}$  )
- Standard orifice diameter 4.0 mm
- Standard 316L stainless steel

Order code	Connections		A	B	C	D	E	F	G	H	L	Orifice	Weight
	Inlet	Outlet											
2150CBAHHBAA	1/4 "	Flanged	32.00	65.00	70.00	49.00	32.00	18.00	7.00	124.00	124.00	4.00	Kg. 1.35
2150CDAHHBAA	1/2 "	Flanged	32.00	65.00	70.00	49.00	32.00	18.00	7.00	124.00	124.00	4.00	Kg. 1.35

**Note:** For 10,000 psi version change the first letter of the code ( usually " C " ) in " D " i.e. 2150DBAHHBAA

**Material of construction can be supplied to meet the requirements of NACE MR 01-75**

**Included accessories:**  
 - Plug 



SAMI instruments srl  
 via Botte, 8  
 35011 Reschigliano  
 di Campodarsego • PD • Italy

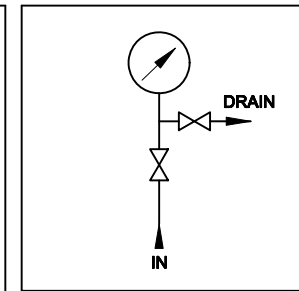
tel. +39 049 9201939  
 fax +39 049 9217549  
 info@sami-instruments.com  
 www.sami-instruments.com



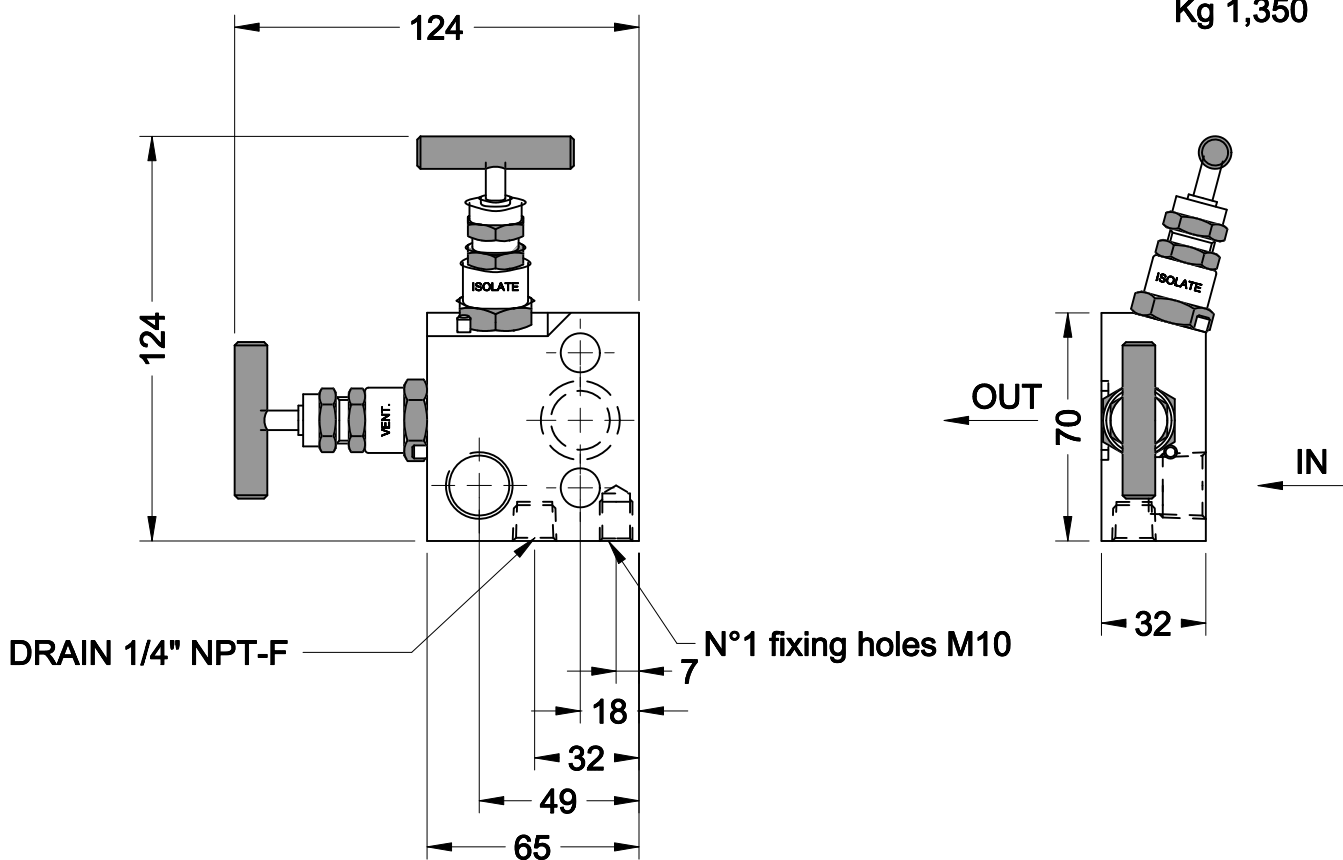
# 2150



MANIFOLD DA BARRA A 2 VALVOLE serie 6000 p.s.i.  
 FILETTATO/FLANGIATO a 180° con spurgo 1/4" NPT-F  
 TWO VALVE BAR STOCK MANIFOLD rating 6000 p.s.i.  
 THREADED/FLANGED 180°connection with 1/4" NPT-F drain



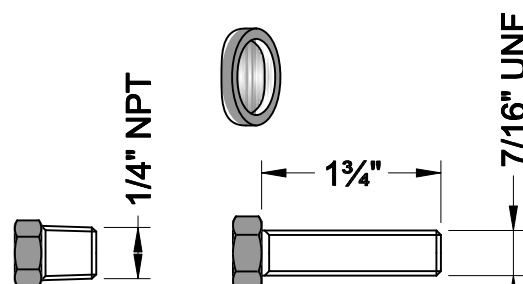
Kg 1,350



SCALA 1:2,5

Codice Code	Entrata In	Uscita Out	Materiale Material	Tenuta Packing
2150CDAHFAA	1/2" NPT-F	Flanged	MONEL 400	PTFE

Accessori inclusi Included accessories		
cod. N0105000006	vite screw carbon steel	Q.TY 2
cod. C0570/08/66	guarnizione gasket PTFE	Q.TY 1
	tappo plug	Q.TY 1



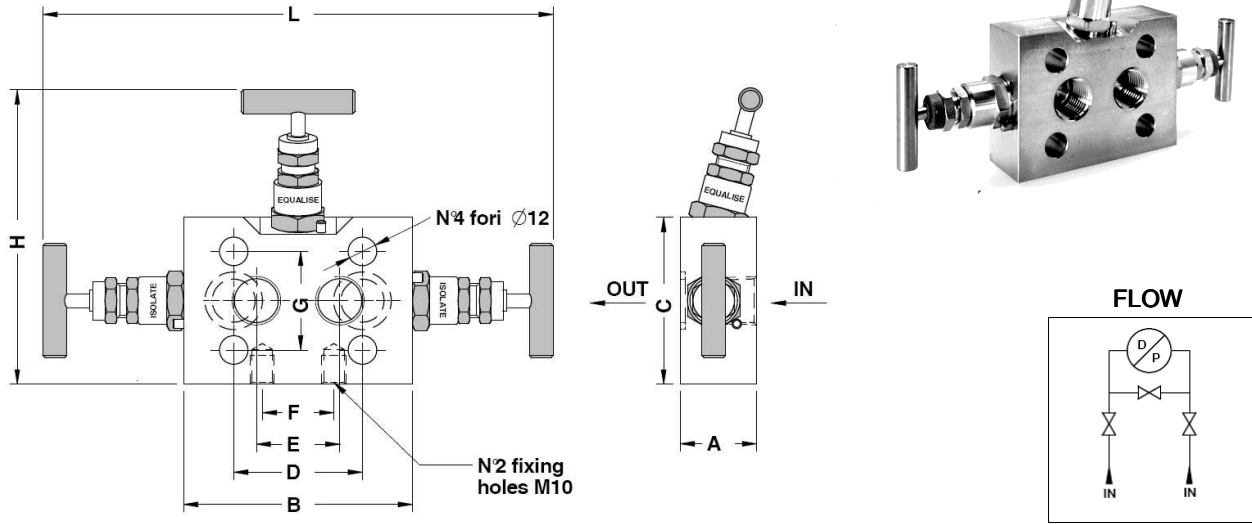
A richiesta del cliente esecuzioni speciali di materiali, attacchi entrata/uscita, ecc.  
 Special executions of materials, in / out connections, etc. are available on customer's request

SAMI INSTRUMENTS S.R.L. SI IMPEGNA A MIGLIORARE COSTANTEMENTE I PROPRI PRODOTTI E PERTANTO SI RISERVA IL DIRITTO DI MODIFICARE DATI, CARATTERISTICHE E PRESTAZIONI SENZA DARE ALCUN PREAVVISO.  
 Sami Instruments s.r.l. commits itself to constantly improve its products and therefore it reserves the right to modify data, features and performances without notice.

## Three Valve Manifolds 6.000 psi & 10.000 psi

The Three Valve Manifolds, that concentrate the functions of interception and balancing in a single block, are used with differential pressure transmitters. They are designed to allow both direct and remote mounting.

Mounting brackets are available on demand.



### Features

- Tee bar easy manoeuvrability with minimum effort
- PTFE packing standard, optional graphoil
- Stainless steel construction as standard, optional: See material list
- Colour coded functional identification
- Externally adjustable gland
- Variety of end connections
- Dust cap to prevent contaminations on the operating thread

### Specifications

- Pressure up to 10,000 Psi ( 690 Bar )
- Temperature rating PTFE packing from  $-73^{\circ}\text{C}$  to  $+210^{\circ}\text{C}$  (  $-99^{\circ}\text{F}$  /  $+410^{\circ}\text{F}$  )
- Temperature rating GRAPHOIL packing from  $-54^{\circ}\text{C}$  to  $+510^{\circ}\text{C}$  (  $-65^{\circ}\text{F}$  /  $+950^{\circ}\text{F}$  )
- Standard orifice diameter 4.0 mm
- Standard 316L stainless steel

Order code	Connections		A	B	C	D	E	F	G	H	L	Orifice	Weight
	Inlet	Outlet											
3050CBAHHBAA	1/4"	Flanged	32.00	96.00	70.00	54.00	35.00	30.00	41.40	124.00	214.00	4.00	Kg. 2.03
3050CDAHHBAA	1/2"	Flanged	32.00	96.00	70.00	54.00	35.00	30.00	41.40	124.00	214.00	4.00	Kg. 2.03

Note: For 10,000 psi version change the first letter of the code (usually "C") in "D" i.e. 3050DBAHHBAA

Material of construction can be supplied to meet the requirements of NACE MR 01-75



SAMI instruments srl  
via Botte, 8  
35011 Reschigliano  
di Campodarsego • PD • Italy

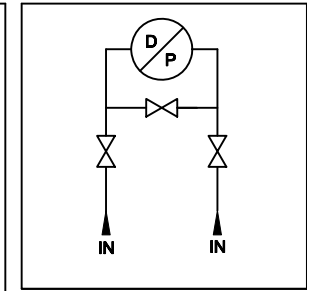
tel. +39 049 9201939  
fax +39 049 9217549  
info@sami-instruments.com  
www.sami-instruments.com



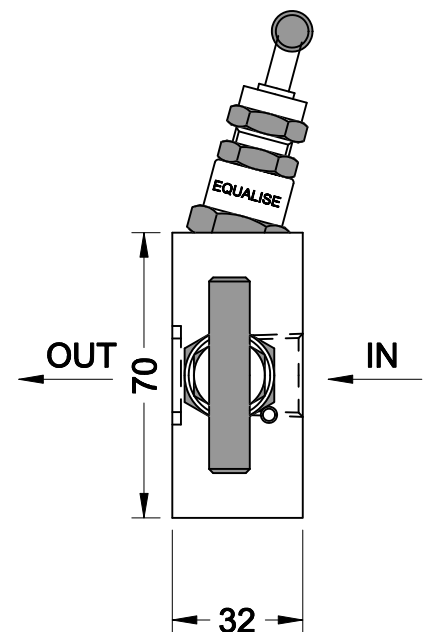
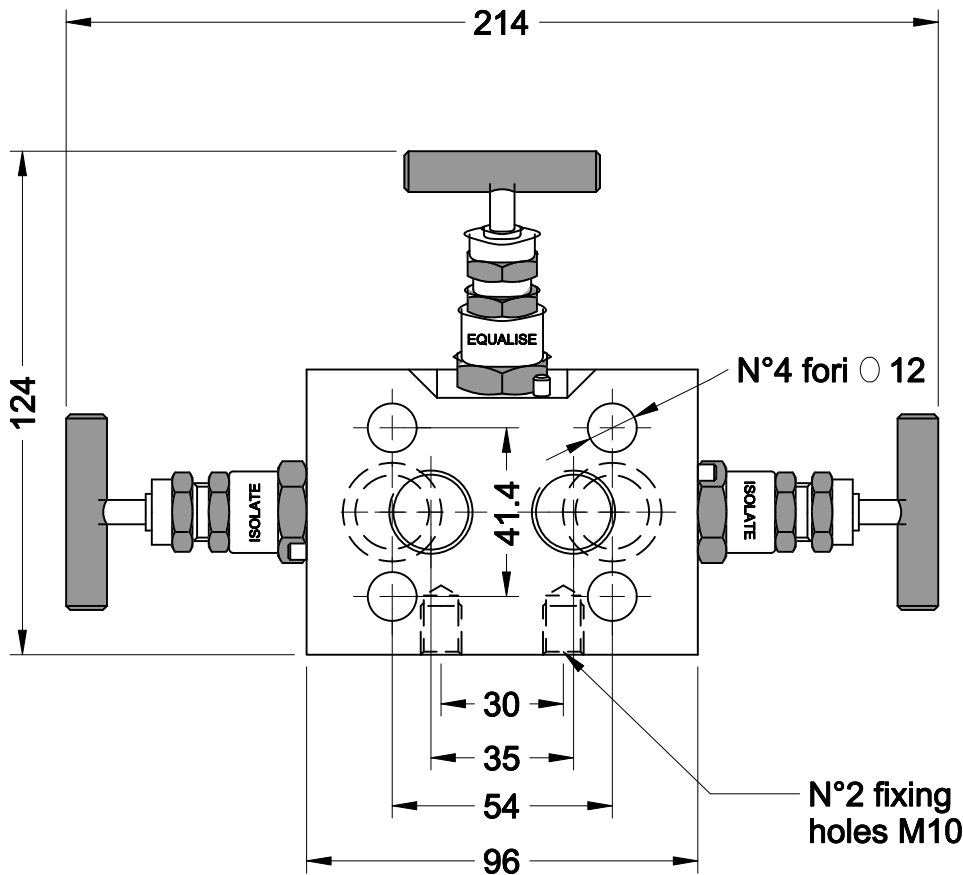
# 3050



MANIFOLD DA BARRA A 3 VALVOLE serie 6000 p.s.i.  
 FILETTATO/FLANGIATO a 180°  
 THREE VALVE BAR STOCK MANIFOLD rating 6000 p.s.i.  
 THREADED/FLANGED 180°connection



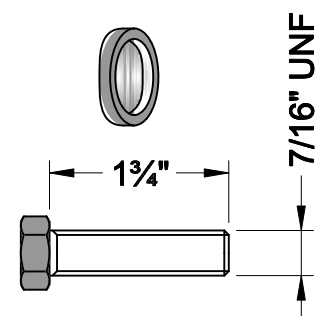
Kg 2,030



SCALA 1:2

Codice Code	Entrata In	Uscita Out	Materiale Material	Tenuta Packing
3050CDAHABBA	1/2" NPT-F	Flanged	Carbon steel	Graphoil
3050CDAHAAA	1/2" NPT-F	Flanged	Carbon steel	PTFE
3050CDAHBBBA	1/2" NPT-F	Flanged	AISI 316L	Graphoil
3050CDAHBBAA	1/2" NPT-F	Flanged	AISI 316L	PTFE

Accessori inclusi Included accessories		
cod. N0105220001	vite screw carbon steel	Q.TY 4
cod. C0570/08/66	guarnizione gasket PTFE	Q.TY 2

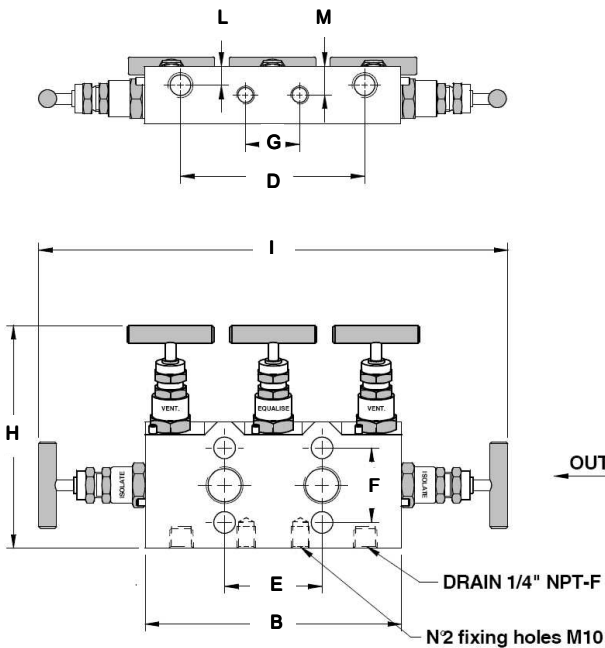


A richiesta del cliente esecuzioni speciali di materiali, attacchi entrata/uscita, ecc.  
 Special executions of materials, in / out connections, etc. are available on customer's request

SAMI INSTRUMENTS S.R.L. SI IMPEGNA A MIGLIORARE COSTANTEMENTE I PROPRI PRODOTTI E PERTANTO SI RISERVA IL DIRITTO DI MODIFICARE DATI, CARATTERISTICHE E PRESTAZIONI SENZA DARE ALCUN PREAVVISO.  
 Sami Instruments s.r.l. commits itself to constantly improve its products and therefore it reserves the right to modify data, features and performances without notice.

## FIVE VALVE MANIFOLDS

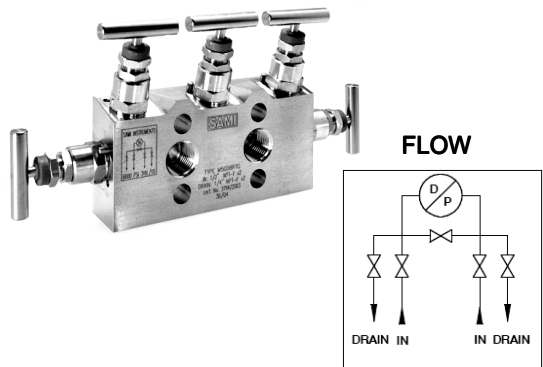
# 5050 Series



### Five Valve Manifolds 6.000 psi & 10.000 psi

The Five Valve Manifolds that concentrate in a single block the functions of interception, balancing and drain, are designed to allow both direct and remote mounting.

Mounting brackets are available on demand.



### Features

- Tee bar easy manoeuvrability with minimum effort
- PTFE packing standard, optional graphoil
- Stainless steel construction as standard, optional: See material list
- Colour coded functional identification
- Externally adjustable gland
- Variety of end connections
- Dust cap to prevent contaminations on the operating thread

### Specifications

- Pressure up to 10,000 Psi ( 690 Bar )
- Temperature rating PTFE packing from  $-73^{\circ}\text{C}$  to  $+210^{\circ}\text{C}$  (  $-99^{\circ}\text{F}$  /  $+410^{\circ}\text{F}$  )
- Temperature rating GRAPHOIL packing from  $-54^{\circ}\text{C}$  to  $+510^{\circ}\text{C}$  (  $-65^{\circ}\text{F}$  /  $+950^{\circ}\text{F}$  )
- Standard orifice diameter 4.0 mm
- Standard 316L stainless steel

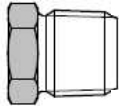
Order code	Connections		A	B	C	D	E	F	G	H	I	L	M	Orifice	Weight
	Inlet	Outlet													
5050CBAHHBAA	1/4"	Flanged	32.00	142.00	70.00	102.00	54.00	41.40	30.00	124.00	260.00	10.50	16.00	4.00	Kg. 2.80
5050CDAHHBAA	1/2"	Flanged	32.00	142.00	70.00	102.00	54.00	41.40	30.00	124.00	260.00	10.50	16.00	4.00	Kg. 2.80

**Note:** For 10,000 psi version change the first letter of the code ( usually "C" ) in "D" i.e. 5050DBAHHBAA

Material of construction can be supplied to meet the requirements of NACE MR 01-75

**Included accessories:**

- Plugs




SAMI instruments srl  
via Botte, 8  
35011 Reschigliano  
di Campodarsego • PD • Italy

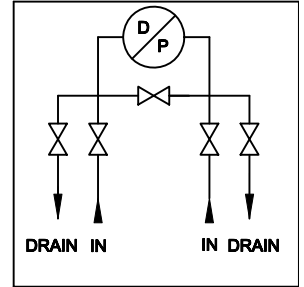
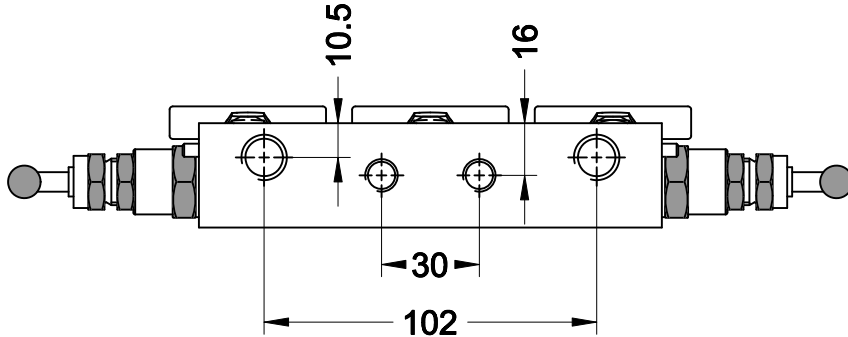
tel. +39 049 9201939  
fax +39 049 9217549  
info@sami-instruments.com  
www.sami-instruments.com



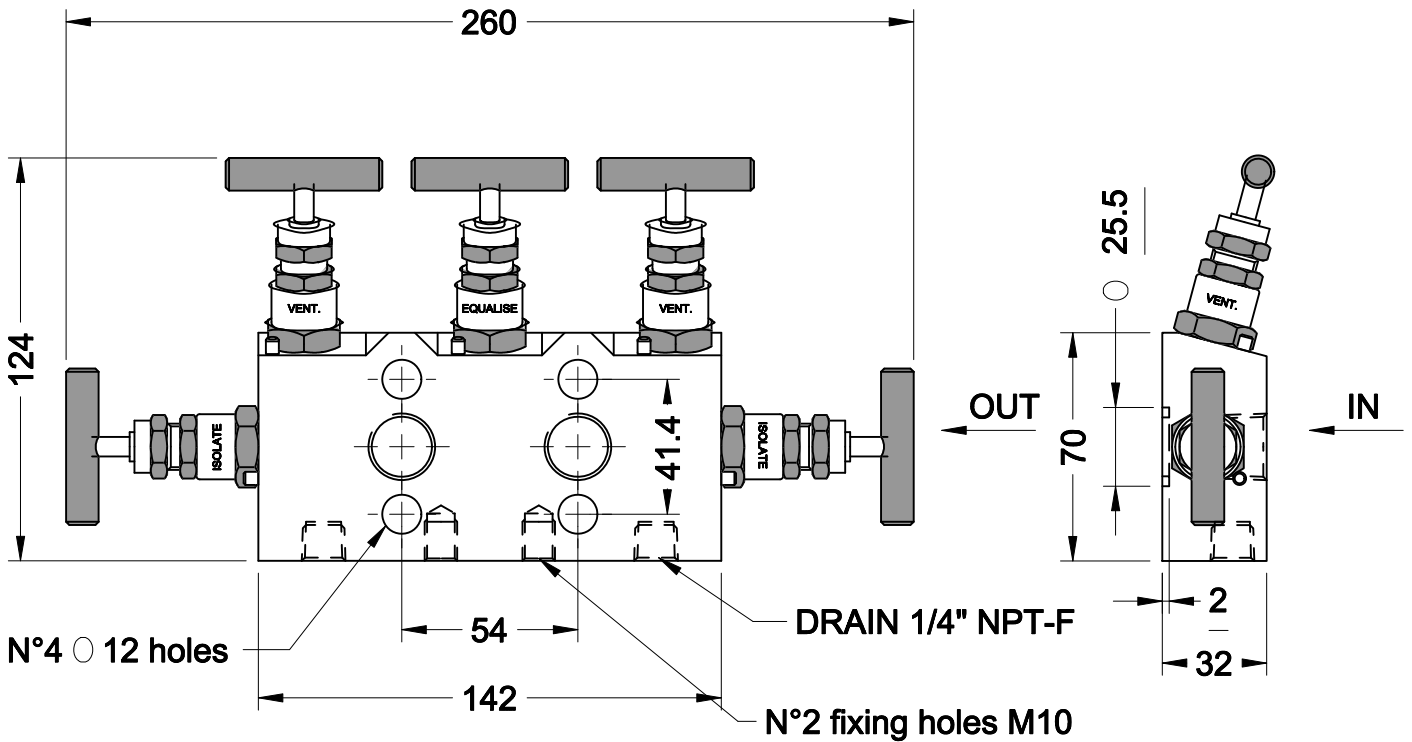
# 5050



MANIFOLD DA BARRA A 5 VALVOLE serie 6000 p.s.i.  
 FILETTATO/FLANGIATO a 180° con spurghi 1/4" NPT-F  
 FIVE VALVE BAR STOCK MANIFOLD rating 6000 p.s.i.  
 THREADED/FLANGED 180° connection with 1/4" NPT-F drain

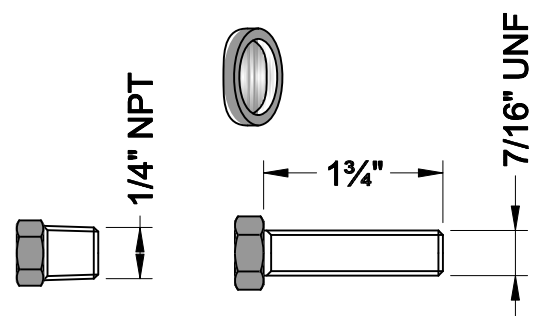


Kg 2,800



Codice Code	Entrata In	Uscita Out	Materiale Material	Tenuta Packing
5050CDAHABBA	1/2" NPT-F	Flanged	Carbon steel	Graphoil
5050CDAHAAA	1/2" NPT-F	Flanged	Carbon steel	PTFE
5050CDAHBBBA	1/2" NPT-F	Flanged	AISI 316L	Graphoil
5050CDAHBBAA	1/2" NPT-F	Flanged	AISI 316L	PTFE
5050CDAHFFAA	1/2" NPT-F	Flanged	MONEL 400	PTFE
5050CDAHGGAA	1/2" NPT-F	Flanged	HASTELLOY C276	PTFE

Accessori inclusi Included accessories		
cod. N0105000006	vite screw carbon steel	Q.TY 4
cod. C0570/08/66	guarnizione gasket PTFE	Q.TY 2
	tappo plug	Q.TY 2



A richiesta del cliente esecuzioni speciali di materiali, attacchi entrata/uscita, ecc.  
 Special executions of materials, in / out connections, etc. are available on customer's request

SAMI INSTRUMENTS S.R.L. SI IMPEGNA A MIGLIORARE COSTANTEMENTE I PROPRI PRODOTTI E PERTANTO SI RISERVA IL DIRITTO DI MODIFICARE DATI, CARATTERISTICHE E PRESTAZIONI SENZA DARE ALCUN PREAVVISO.  
 Sami Instruments s.r.l. commits itself to constantly improve its products and therefore it reserves the right to modify data, features and performances without notice.



VERSION	
1000+1750	Bar stock needle valves
2000+2750	Two-valve manifolds
3000+3560	Three-valve manifolds
4000+4300	Four-valve manifolds
5000+5600	Five-valve manifolds

OUTLET			
A	1/8"	A	NPT
B	1/4"	B	BSPP
C	3/8"	C	BSPT
D	1/2"	D	S.W.
E	3/4"	E	B.W.
F	Ø *	F	O.D.
G	1"	H	Std. Sami
H	Flang.	I	IEC 61518/A
I	M20	L	Special
		M	IEC 61518/B
		N	X 1,5

INLET			
A	1/8"	A	NPT
B	1/4"	B	BSPP
C	3/8"	C	BSPT
D	1/2"	D	S.W.
E	3/4"	E	B.W.
G	1"	H	Std. Sami
H	Flang.	I	IEC 61518/A
I	M20	L	Special
		M	IEC 61518/B
		N	X 1,5

RATING	
A	800 PSI
B	3,000 PSI
C	6,000 PSI
D	10,000 PSI

MATERIALS	
A	Carbon Steel C50
B	Aisi 316 L
C	Aisi 316 Ti
D	Duplex
E	Super Duplex
F	Monel 400
G	Hastelloy C276
H	Inconel 625
I	Titanium
M	Brass
N	A350-LF2
O	Incolloy 825

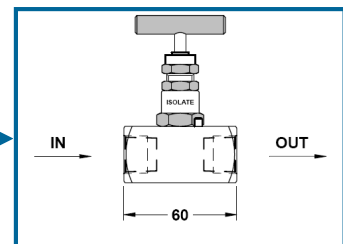
PACKING	
A	PTFE
B	Graphoil
C	O-ring Viton
D	O-ring NBR

BONNET	
A	Std Bonnet
B	Gas Solution
C	Mini
D	O.S. & Y.

1 0 0 0 C B A B A B A A



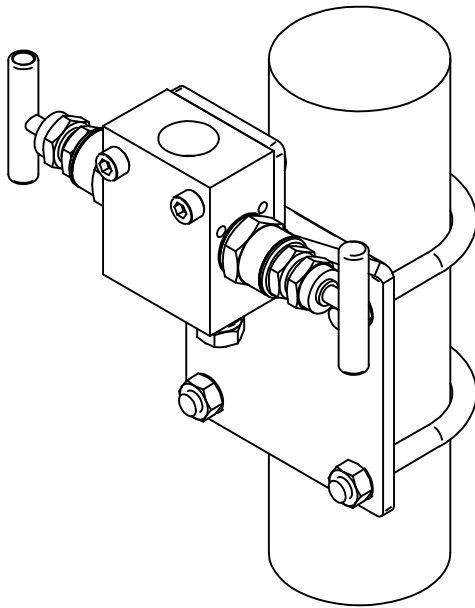
1000CBABABAA



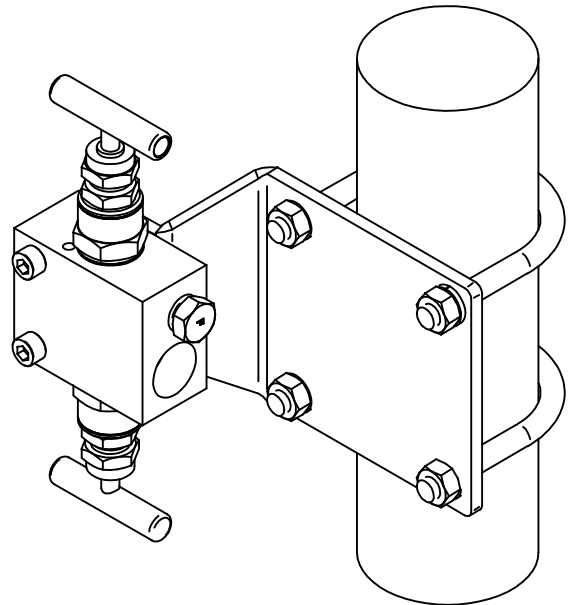


# 2050 - BRACKET SYSTEM FOR MANIFOLD ON 2" NB PIPE PILLAR

Bracket model: A0540/11



**vertical**



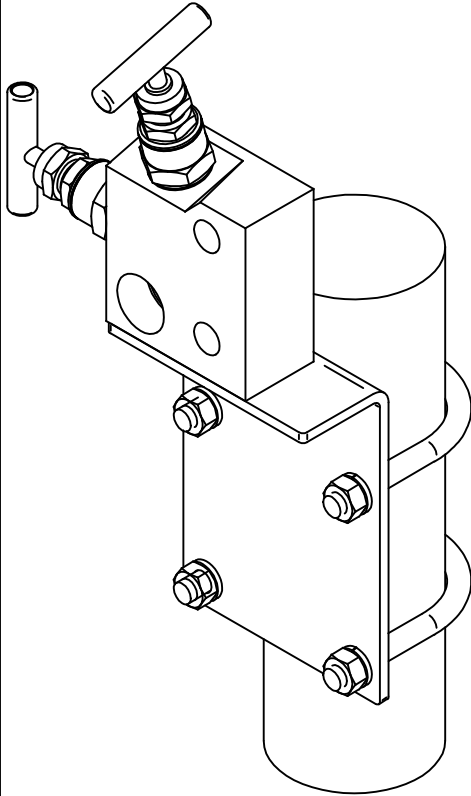
**horizontal**

CODICE Code	ENTRATA In	USCITA Out	MATERIALE Material	TENUTA Packing	ACCESSORI INCLUSI Included Accessories
					COD.:
<p><b>A richiesta del cliente esecuzioni speciali di materiali, attacchi entrata/uscita, ecc.</b>  <i>Special executions of materials, in/out connections, etc. are available on customer's request</i></p>					
DIS.:	REV.:	PAGINA: 3/23 FILE: listino.dft			

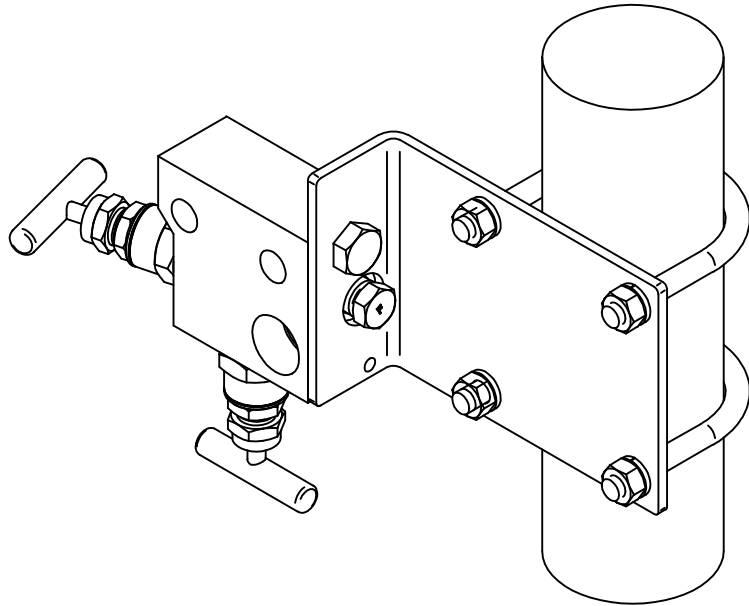


# 2150 - BRACKET SYSTEM FOR MANIFOLD ON 2" NB PIPE PILLAR

Bracket model: A0540/08



**vertical**



**horizontal**

CODICE Code	ENTRATA In	USCITA Out	MATERIALE Material	TENUTA Packing	ACCESSORI INCLUSI Included Accessories
					COD.:

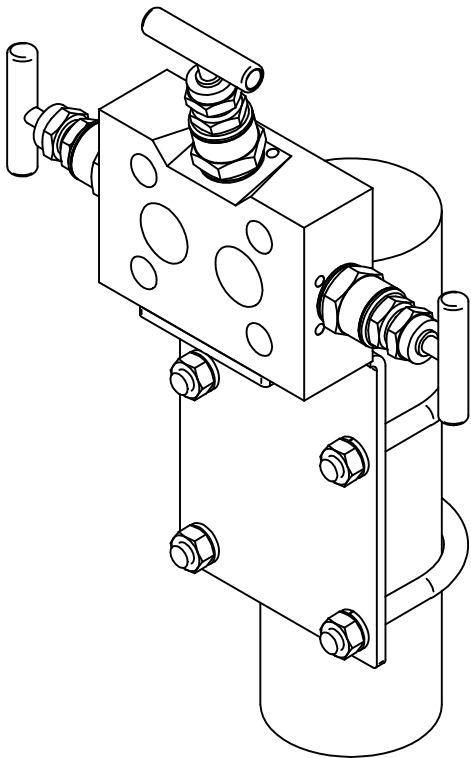
A richiesta del cliente esecuzioni speciali di materiali, attacchi entrata/uscita, ecc.  
Special executions of materials, in/out connections, etc. are available on customer's request

DIS.:      REV.:      PAGINA: 5/21      FILE: listino.dft

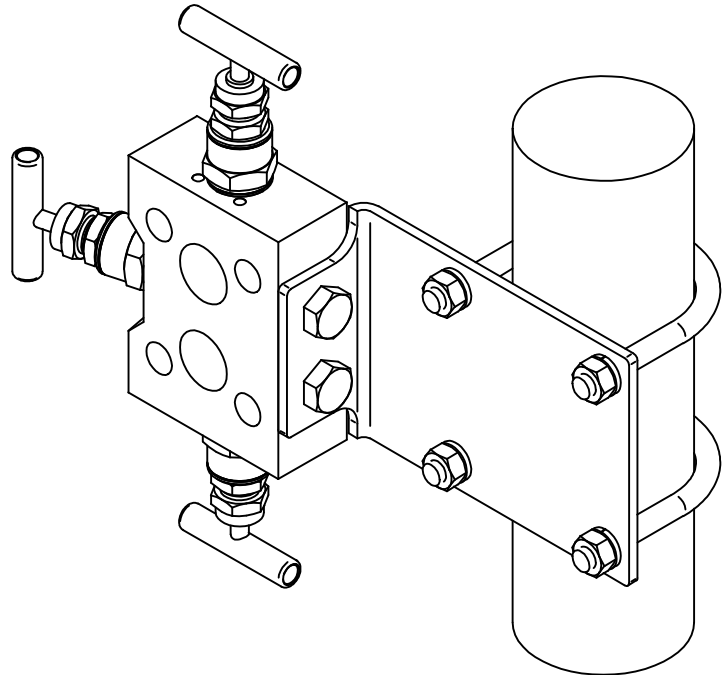


# 3050 - BRACKET SYSTEM FOR MANIFOLD ON 2" NB PIPE PILLAR

Bracket model: A0540/04



**vertical**



**horizontal**

CODICE Code	ENTRATA In	USCITA Out	MATERIALE Material	TENUTA Packing	ACCESSORI INCLUSI Included Accessories
					COD.:

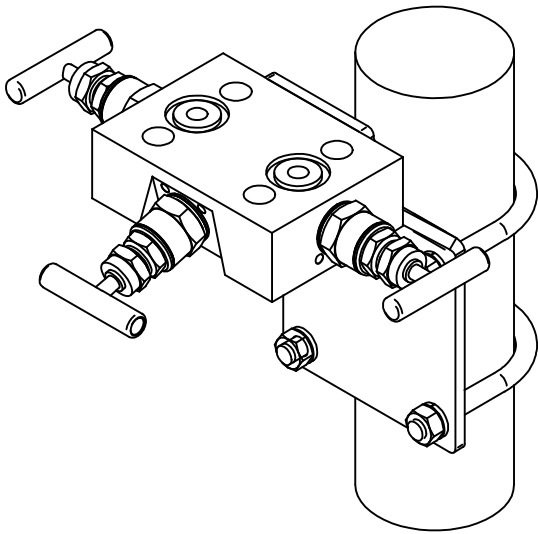
**A richiesta del cliente esecuzioni speciali di materiali, attacchi entrata/uscita, ecc.**  
*Special executions of materials, in/out connections, etc. are available on customer's request*

DIS.:      REV.:      PAGINA: 8/21      FILE: listino.dft

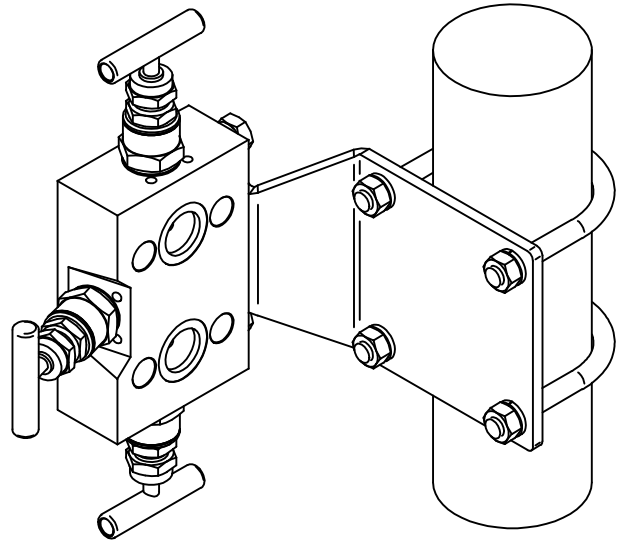


# 3050 - BRACKET SYSTEM FOR MANIFOLD ON 2" NB PIPE PILLAR

Bracket model: A0540/07



**vertical**



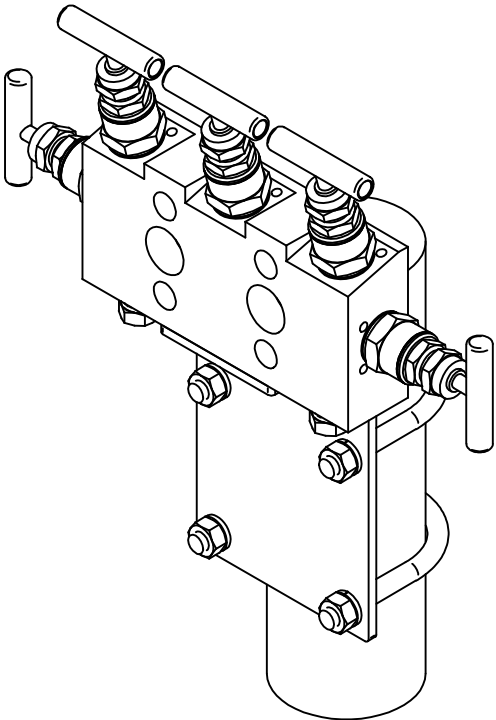
**horizontal**

CODICE Code	ENTRATA In	USCITA Out	MATERIALE Material	TENUTA Packing	ACCESSORI INCLUSI Included Accessories
					COD.:
<p>A richiesta del cliente esecuzioni speciali di materiali, attacchi entrata/uscita, ecc. Special executions of materials, in/out connections, etc. are available on customer's request</p>					
DIS.:	REV.:	PAGINA: 9/21	FILE: listino.dft		

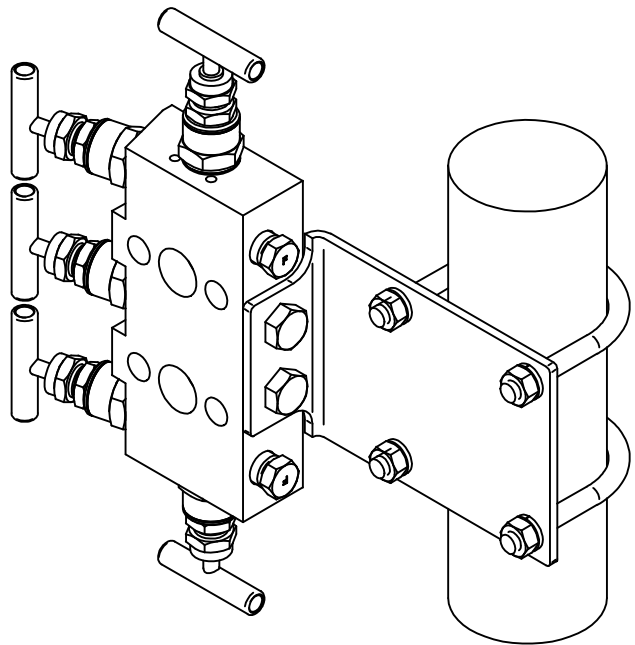


# 5050 - BRACKET SYSTEM FOR MANIFOLD ON 2" NB PIPE PILLAR

Bracket model: A0540/04



**vertical**



**horizontal**

CODICE Code	ENTRATA In	USCITA Out	MATERIALE Material	TENUTA Packing	ACCESSORI INCLUSI Included Accessories
					COD.:

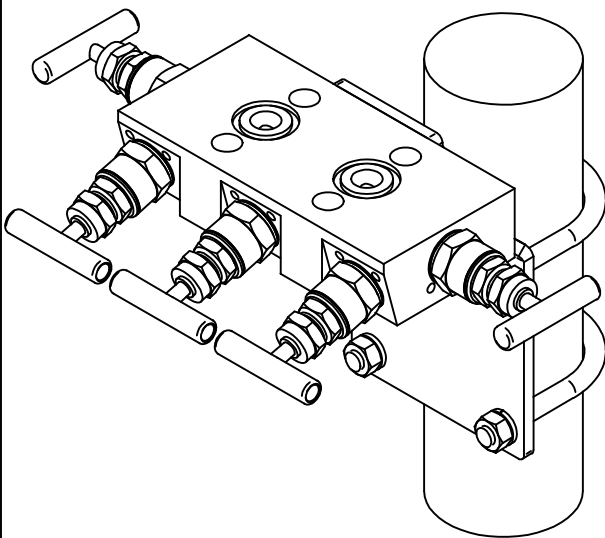
**A richiesta del cliente esecuzioni speciali di materiali, attacchi entrata/uscita, ecc.**  
*Special executions of materials, in/out connections, etc. are available on customer's request*

DIS.:                      REV.:                      PAGINA: 1823                      FILE: listino.dft

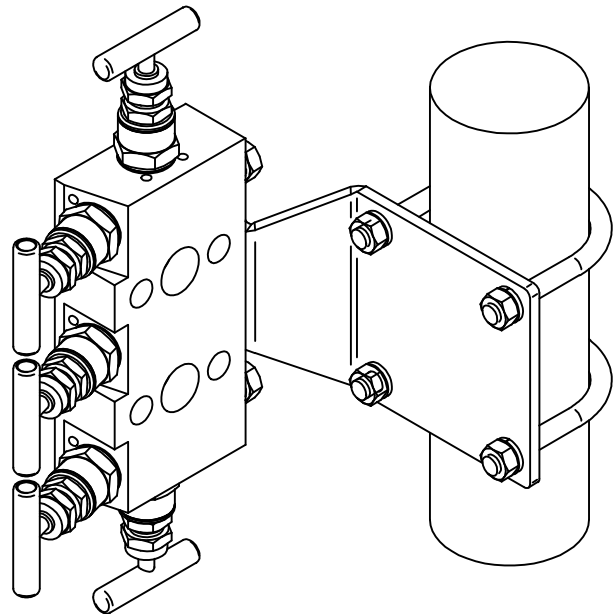


# 5050 - BRACKET SYSTEM FOR MANIFOLD ON 2" NB PIPE PILLAR

Bracket model: A0540/07



**vertical**



**horizontal**

CODICE Code	ENTRATA In	USCITA Out	MATERIALE Material	TENUTA Packing	ACCESSORI INCLUSI Included Accessories
					COD.:
<p><b>A richiesta del cliente esecuzioni speciali di materiali, attacchi entrata/uscita, ecc.</b>  <i>Special executions of materials, in/out connections, etc. are available on customer's request</i></p>					
DIS.:	REV.:	PAGINA: 1	FILE: listino.dft		