

www.sami-instruments.com

SAMI

In the
sign of
evolution
and
safety

instruments

MONOFLANGES - MONOBLOCK VALVES

www.sami-instruments.com

SAMI



SAMI instruments srl
via Botte, 8
35011 Reschigliano
di Campodarsego • PD • Italy

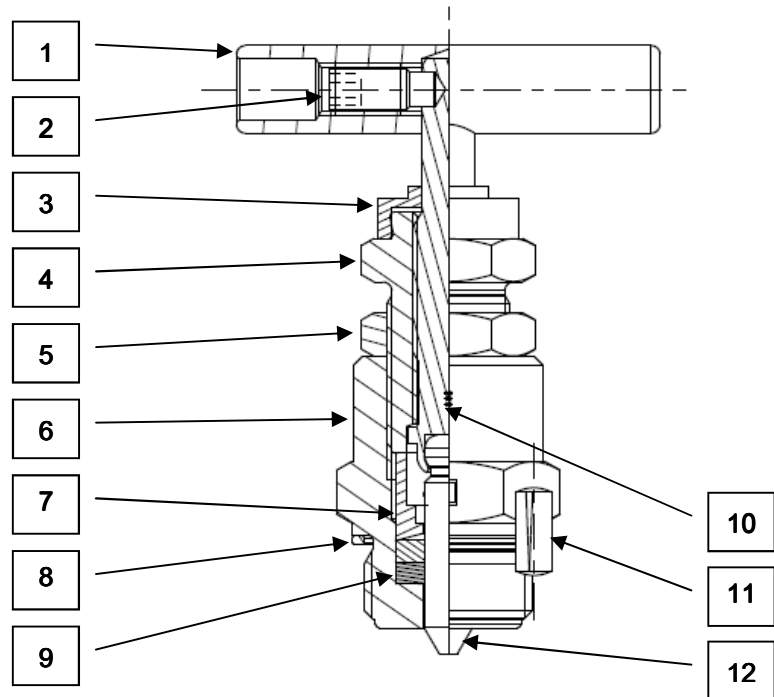
tel. +39 049 9201939
fax +39 049 9217549
info@sami-instruments.com
www.sami-instruments.com



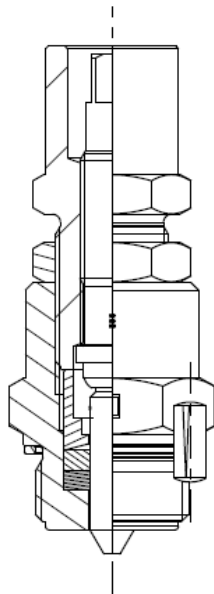
Non-rotating Metal Stem Tip

A non rotating stem tip is typically used in high cycle applications to extend the service life of the valve. Its purpose is to prevent galling of the valve seat in contact with the non-rotating stem, which is driven straight into it without rotating.

- Tee bar easy manoeuvrability with minimum effort
- PTFE packing standard, optional graphoil
- Stainless steel construction as standard, optional: carbon steel LF2, Duplex, Super Duplex, Monel 400, Hastelloy C276, Inconel 625, Titanium, Incolloy 825
- Colour coded functional identification
- Externally adjustable gland
- Variety of end connections
- Dust cap to prevent contaminations on the operating thread



Anti-Tamper



Materials Table

1	TEE BAR	AISI 304
2	FIXING	AISI 303
3	CAP	HYTREL
4	GLAND NUT	AISI 316L
5	LOCK NUT	AISI 316L
6	BONNET	AISI 316L
7	RING	AISI 316L
8	METAL SEAL	AISI 316L
9	PACKINGSTEM	PTFE / GRAPHOIL
10	STEM	AISI 316L
11	PIN	AISI 304
12	NON-ROTATING STEM	AISI 316L



SAMI instruments srl
via Botte, 8
35011 Reschigliano
di Campodarsego • PD • Italy

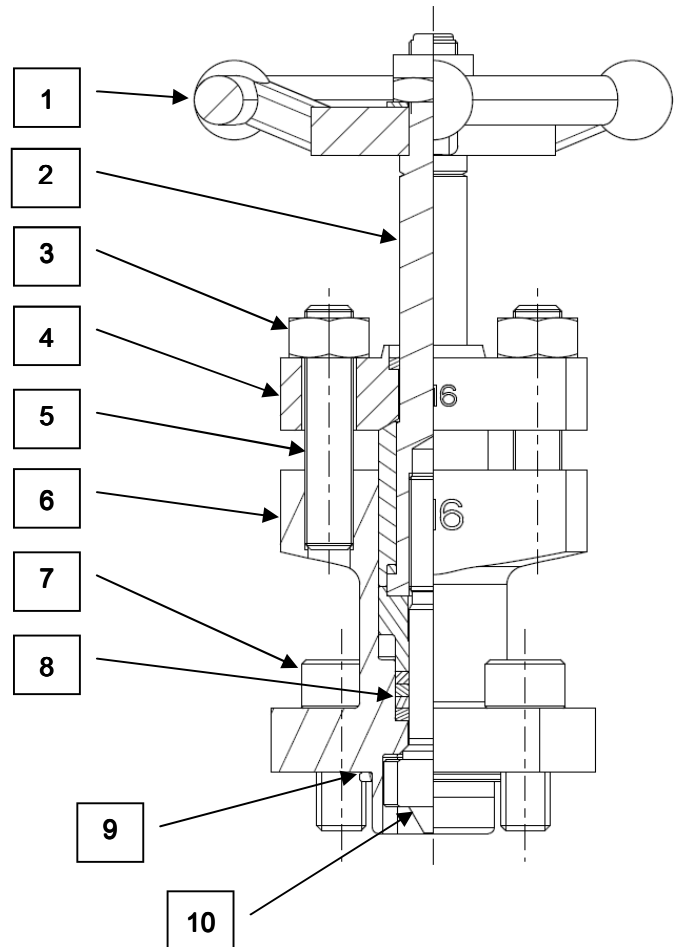
tel. +39 049 9201939
fax +39 049 9217549
info@sami-instruments.com
www.sami-instruments.com





Features

- Rolled stem threads prevent galling. Stem threads are completely isolated from the process.
- Stem packing with graphite rings for bubble-tight seal.
- Bolted bonnet strength and reliability.
- Stem tip construction: non-rotating self-centering.
- Flange gasket seal ensures a bubble-tight between body and bonnet.
- Backseat design provides secondary stem sealing and prevents stem blowout.
- Adjustable gland flange allows easy access to the packing gland, and packing adjustment for an effective stem seal.
- Robust handwheel painted
- Firesafe to BS 6755 PART. 2
- Pressure rating up to 6.000 psi (413 bar)
- Temperature rating: (GRAPHOIL)
-54°C / +510°C (-65°F / +950°F)



MATERIALS TABLE		
1	HANDWHEEL	PAINTED CARBON S.
2	UPPER STEM	AISI 316L
3	NUT M8	AISI 316L
4	GLAND	AISI 316L
5	STAY BOLT	AISI 316L
6	BONNET BODY	AISI 316L
7	SCREW M8X20	AISI 316L
8	PACKING	GRAPHOIL
9	METAL RING	AISI 316L
10	LOWER STEM	17-4 PH



SAMI instruments srl
 via Botte, 8
 35011 Reschigliano
 di Campodarsego • PD • Italy

tel. +39 049 9201939
 fax +39 049 9217549
 info@sami-instruments.com
 www.sami-instruments.com



Ordering Information - Monoflanges

Sami Instruments manufactures monoflanges to replace multivalve assemblies with single, flange-mounted manifold configurations. The main advantages over a typical system include compactness and weight savings, which can reduce stress from loading and vibration; fewer potential leak points and reduced installation and maintenance.

Model	Type	Valve Configuration	Nominal Size	Pressure Rating	End Type	Out Size	Packing/ Isolate Vent	Material	Options
MO	H	1	A	1	A	2	P	A	AB

Style

H	Flanged/Threaded
L	Flanged/Flanged

Style

1	Block - Bleed - Block
3	Block - Block - Bleed
5	Block - Bleed
7	Block - Block
9	Block

Nominal Size

A	1/2"
B	3/4"
C	1"
D	1 1/2"
E	2"
F	3"

Pressure Rating

1	150 lbs
2	300 lbs
3	600 lbs
4	900 lbs
5	1500 lbs
6	2500 lbs

End Type

A	RF Stock Finish
B	RF Smooth Finish
C	RF Concentric
D	RF Spiral
E	RTJ Ring Joint
F	FF Stock Finish
G	FF Smooth Finish
H	FF Concentric
I	FF Spiral

Out Size

1	1/4" NPT
2	1/2" NPT
3	3/4" NPT
4	1" NPT
5	Flanged = IN
6	IEC 61518/A
7	Graylock

Material

P	PTFE
G	GRAPHOIL
K	PEEK
Q	DEVLON

Material

A	Aisi 316L
B	Carbon Steel C50
C	Aisi 316 Ti
D	Monel 400
E	Duplex F51
F	Super Duplex F53
G	Super Duplex F55
H	HASTELLOY C276
I	INCONEL 625
J	INCOLLOY 825
L	TITANIUM
M	A350-LF2
N	F44
O	ASTM A105
P	6MO
Q	ASTM B148

Options

A	Drain / Vent 1/2"
B	Drain / Vent 3/4"
C	Locking
D	Drain/Vent A-T
E	Drain/Vent T-Bar
F	BSPB Thread
G	BSPT Thread
H	Out: no. 2
I	O.S&Y./Needle/Needle Operator: T-Bar

Model	Description
MO	Monoflange Primary Isolate O.S.&Y. Graphoil Drain 1/4" NPT
MB	Monoflange Primary Isolate T.Bar Graphoil Drain 1/4" NPT
MC	Monoflange Primary Isolate T.Bar PTFE Drain 1/4" NPT



SAMI instruments srl
via Botte, 8
35011 Reschigliano
di Campodarsego • PD • Italy

tel. +39 049 9201939
fax +39 049 9217549
info@sami-instruments.com
www.sami-instruments.com





Monoflanges O.S.&Y.

Applications

This product range represents a true technical and economical innovation in the management of the instrumentation analysis. Differently from the old system composed by big size block valves, safety and on-off valves, draining and sampling, these monoflanges allow to reduce costs and spaces. The monoflanges can be realized in traditional AISI 316 L as standard or exotic materials when required. They have compact dimensions with consequent reduction of assembling costs.

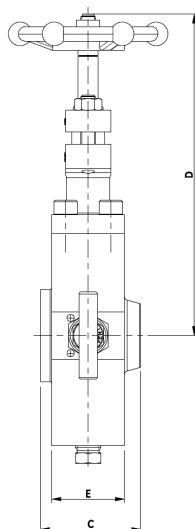
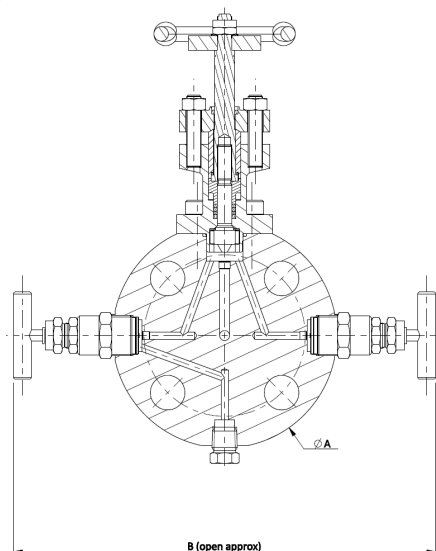
- Stainless steel construction as standard, optional: carbon steel LF2, Duplex, Super Duplex, Monel 400, Hastelloy C276, Inconel 625, Titanium, Incolloy 825
- Temperature rating GRAPHOIL packing from -54°C to $+510^{\circ}\text{C}$ (-65°F / $+950^{\circ}\text{F}$)



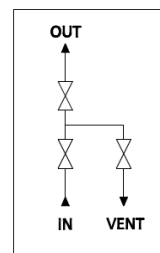
SAMI instruments srl
via Botte, 8
35011 Reschigliano
di Campodarsego • PD • Italy

tel. +39 049 9201939
fax +39 049 9217549
info@sami-instruments.com
www.sami-instruments.com





FLOW DIAGRAM



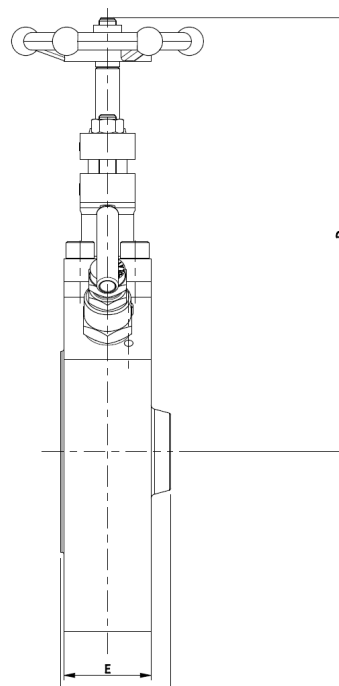
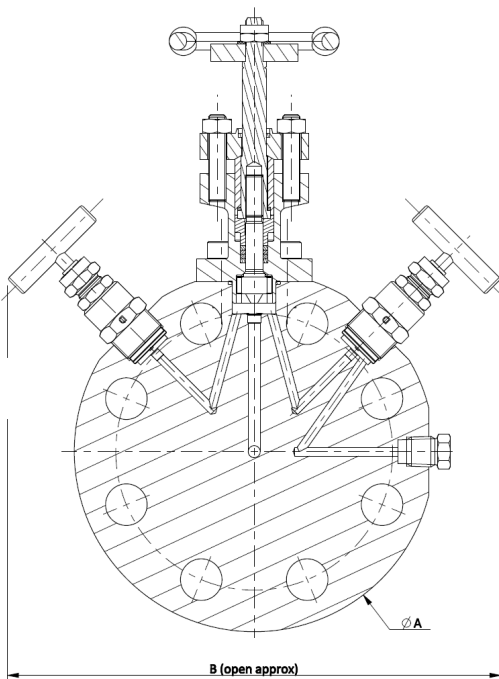
PART NUMBER	RATING		FEATURES				
			A	B	C	D	E
MOH1A1A2PA	1/2"	150	88.9	197	50.6	157	40
MOH1B1A2PA	3/4"	150	98.4	207	50.6	162.5	40
MOH1C1A2PA	1"	150	107.9	214	50.6	168	40
MOH1D1A2PA	1-1/2"	150	127	236	50.6	178.7	40
MOH1E1A2PA	2"	150	152.4	262	50.6	192.5	40
MOH1F1A2PA	3"	150	190.5	300.6	50.6	212.5	40
MOH1A2A2PA	1/2"	300	94.5	202	50.6	160.5	40
MOH1B2A2PA	3/4"	300	117.5	224	50.6	173	40
MOH1C2A2PA	1"	300	123.8	233	50.6	177	40
MOH1D2A2PA	1-1/2"	300	155.6	265.4	50.6	194	40
MOH1A3A2PA	1/2"	600	94.5	202	55.3	160.5	40
MOH1B3A2PA	3/4"	600	117.5	226.6	55.3	173.4	40
MOH1C3A2PA	1"	600	123.8	233	55.3	177	40
MOH1D3A2PA	1-1/2"	600	155.6	265.4	55.3	194	40
MOH1A4A2PA	1/2"	900	120.6	229	55.3	175.2	40
MOH1B4A2PA	3/4"	900	130.2	237	55.3	180	40
MOH1C4A2PA	1"	900	149.2	259	55.3	190.5	40
MOH1D4A2PA	1-1/2"	900	177.8	287.6	55.3	205.8	40
MOH1A5A2PA	1/2"	1500	120.6	229	55.4	175.2	40
MOH1B5A2PA	3/4"	1500	130.2	239	55.3	180	40
MOH1C5A2PA	1"	1500	149.2	259	55.3	190.5	40
MOH1D5A2PA	1-1/2"	1500	177.8	287.6	55.3	205.8	40
MOH1A6A2PA	1/2"	2500	133.35	243	55.3	182.5	40
MOH1B6A2PA	3/4"	2500	139.7	249.4	55.3	186	40
MOH1C6A2PA	1"	2500	158.75	268.6	55.3	195	40
MOH1D6A2PA	1-1/2"	2500	203.2	313.4	59.7	219	44.4



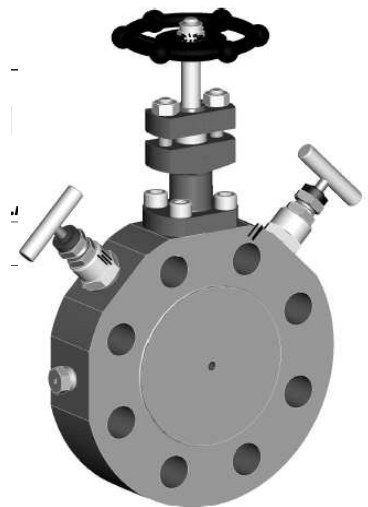
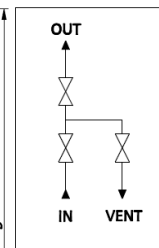
SAMI instruments srl
 via Botte, 8
 35011 Reschigliano
 di Campodarsego • PD • Italy

tel. +39 049 9201939
 fax +39 049 9217549
 info@sami-instruments.com
 www.sami-instruments.com





FLOW DIAGRAM



PART NUMBER	RATING		FEATURES				
			A	B	C	D	E
MOH1E2A2PA	2"	300	165.1	228.4	50.6	199	40
MOH1F2A2PA	3"	300	209.55	260.2	50.6	222.4	40
MOH1E3A2PA	2"	600	165.1	228.4	55.3	199	40
MOH1F3A2PA	3"	600	209.55	260.2	55.3	222.4	40
MOH1E4A2PA	2"	900	215.9	264.5	55.3	225.6	40
MOH1F4A2PA	3"	900	241.3	282.7	55.3	238.7	40
MOH1E5A2PA	2"	1500	215.9	264.5	55.3	225.6	40
MOH1F5A2PA	3"	1500	266.7	300.8	62.9	251.7	47.6
MOH1E6A2PA	2"	2500	234.95	277.9	66.1	235.5	50.8
MOH1F6A2PA	3"	2500	304.8	327.8	82	271	66.7



SAMI instruments srl
 via Botte, 8
 35011 Reschigliano
 di Campodarsego • PD • Italy

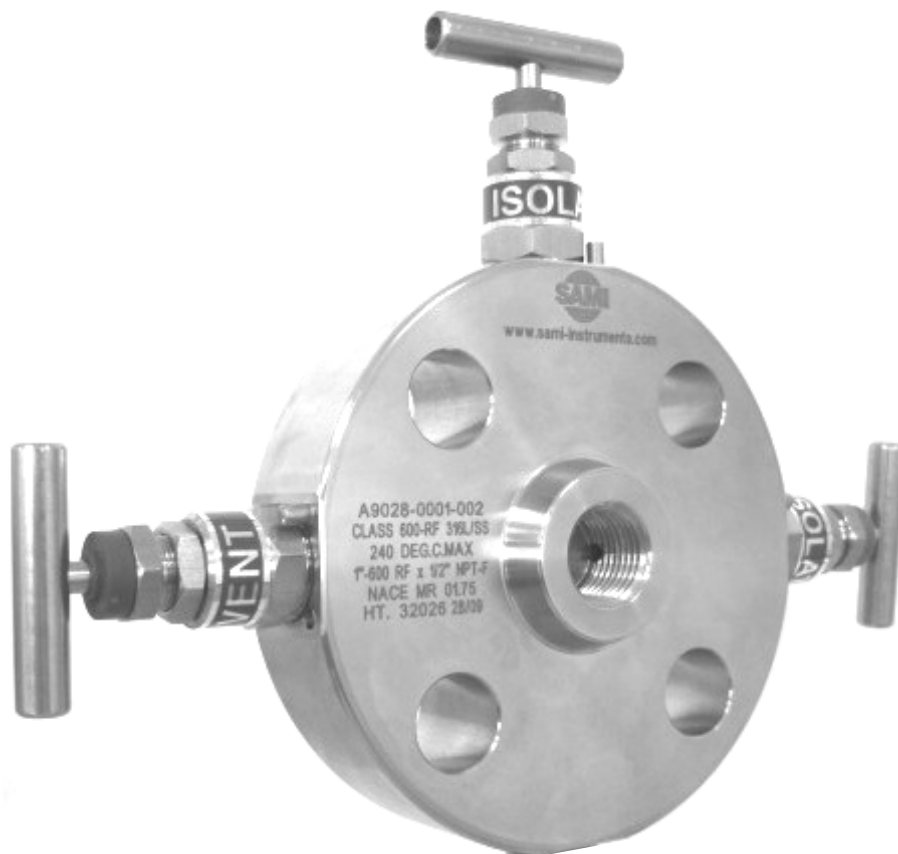
tel. +39 049 9201939
 fax +39 049 9217549
 info@sami-instruments.com
 www.sami-instruments.com



Applications

This product range represents a true technical and economical innovation in the management of the instrumentation analysis. Differently from the old system composed by big size block valves, safety and on-off valves, draining and sampling, these monoflanges allow to reduce costs and spaces. The monoflanges can be realized in traditional AISI 316 L as standard or exotic materials when required. They have compact dimensions with consequent reduction of assembling costs.

- Stainless steel construction as standard, optional: carbon steel LF2, Duplex, Super Duplex, Monel 400, Hastelloy C276, Inconel 625, Titanium, Incolloy 825
- Temperature rating PTFE packing from -73°C to $+210^{\circ}\text{C}$ (-99°F / $+410^{\circ}\text{F}$) - GRAPHOIL optional.



- Tee bar easy manoeuvrability with minimum effort
- PTFE packing standard, optional graphoil
- Colour coded functional identification
- Externally adjustable gland
- Dust cap to prevent contaminations on the operating thread



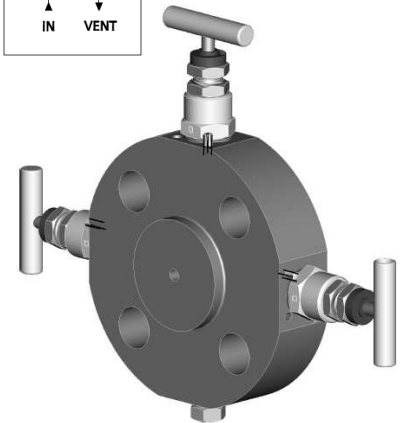
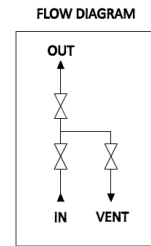
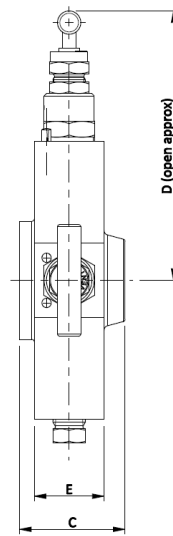
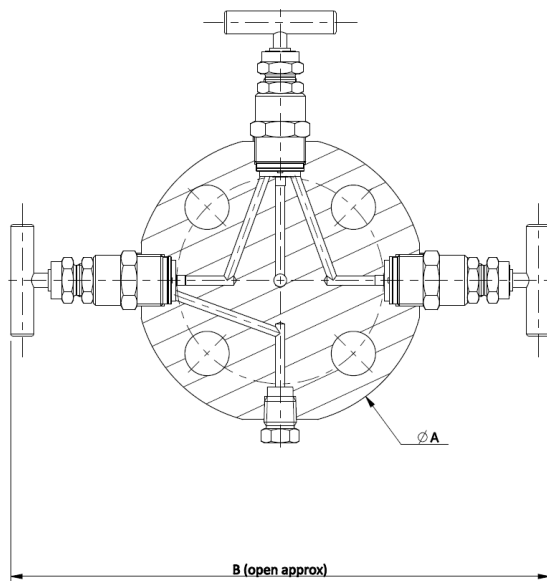
SAMI instruments srl
via Botte, 8
35011 Reschigliano
di Campodarsego • PD • Italy

tel. +39 049 9201939
fax +39 049 9217549
info@sami-instruments.com
www.sami-instruments.com





Monoflanges T-Bar



PART NUMBER	RATING		FEATURES				
			A	B	C	D	E
MCH1A1A2PA	1/2"	150	88.9	197	40.6	98.5	30
MCH1B1A2PA	3/4"	150	98.4	207	40.6	103.5	30
MCH1C1A2PA	1"	150	107.9	214	40.6	107	30
MCH1D1A2PA	1-1/2"	150	127	236	40.6	118	30
MCH1E1A2PA	2"	150	152.4	262	40.6	131	30
MCH1F1A2PA	3"	150	190.5	300.6	40.6	150.3	30
MCH1A2A2PA	1/2"	300	94.5	202	40.6	101	30
MCH1B2A2PA	3/4"	300	117.5	224	40.6	112	30
MCH1C2A2PA	1"	300	123.8	233	40.6	116.5	30
MCH1D2A2PA	1-1/2"	300	155.6	265.4	40.6	132.7	30
MCH1A3A2PA	1/2"	600	94.5	202	45.3	101	30
MCH1B3A2PA	3/4"	600	117.5	226.6	45.3	113.3	30
MCH1C3A2PA	1"	600	123.8	233	45.3	116.5	30
MCH1D3A2PA	1-1/2"	600	155.6	265.4	45.3	132.7	30
MCH1A4A2PA	1/2"	900	120.6	229	45.3	114.5	30
MCH1B4A2PA	3/4"	900	130.2	237	45.3	118.5	30
MCH1C4A2PA	1"	900	149.2	259	45.3	129.5	30
MCH1D4A2PA	1-1/2"	900	177.8	287.6	47.3	143.8	32
MCH1A5A2PA	1/2"	1500	120.6	229	45.3	114.5	30
MCH1B5A2PA	3/4"	1500	130.2	239	45.3	119.5	30
MCH1C5A2PA	1"	1500	149.2	259	45.3	129.5	30
MCH1D5A2PA	1-1/2"	1500	177.8	287.6	47.3	143.8	32
MCH1A6A2PA	1/2"	2500	133.35	243	45.3	121.5	30
MCH1B6A2PA	3/4"	2500	139.7	249.4	47.3	124.7	32
MCH1C6A2PA	1"	2500	158.75	268.6	50.3	134.3	35
MCH1D6A2PA	1-1/2"	2500	203.2	313.4	59.7	156.7	44.4

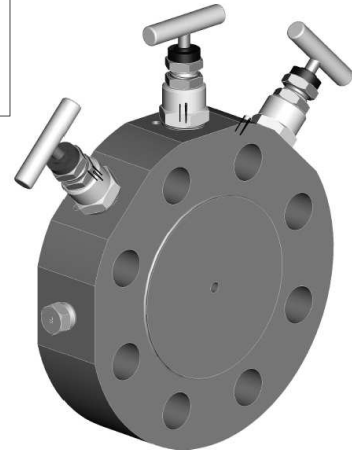
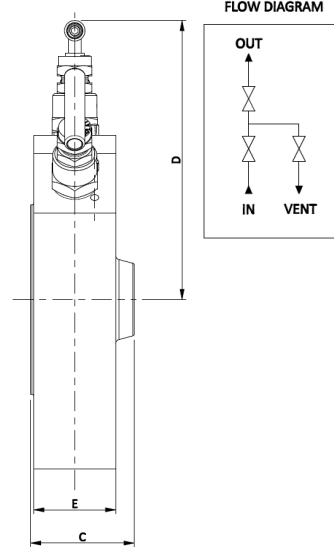
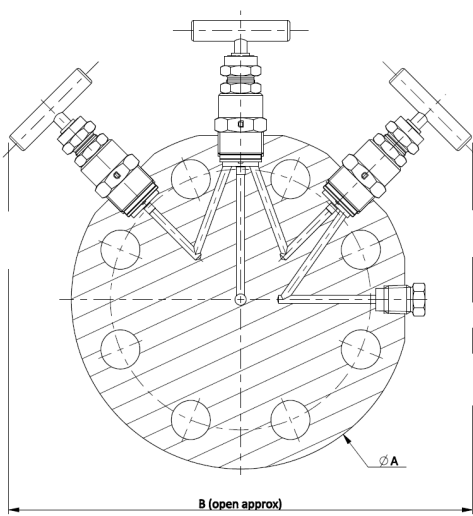


SAMI instruments srl
 via Botte, 8
 35011 Reschigliano
 di Campodarsego • PD • Italy

tel. +39 049 9201939
 fax +39 049 9217549
 info@sami-instruments.com
 www.sami-instruments.com



Monoflanges T-Bar



PART NUMBER	RATING		FEATURES				
	A	B	C	D	E		
MCH1E2A2PA	2"	300	165.1	228.4	40.6	137.5	30
MCH1F2A2PA	3"	300	209.55	260.2	40.6	160	30
MCH1E3A2PA	2"	600	165.1	228.4	45.3	137.5	30
MCH1F3A2PA	3"	600	209.55	260.2	47.3	160	32
MCH1E4A2PA	2"	900	215.9	264.5	55.3	163	40
MCH1F4A2PA	3"	900	241.3	282.7	55.3	175.9	40
MCH1E5A2PA	2"	1500	215.9	264.5	55.3	163	40
MCH1F5A2PA	3"	1500	266.7	300.8	63.3	188.7	48
MCH1E6A2PA	2"	2500	234.95	277.9	66.3	172.5	51
MCH1F6A2PA	3"	2500	304.8	327.8	82.3	207.8	67



SAMI instruments srl
via Botte, 8
35011 Reschigliano
di Campodarsego • PD • Italy

tel. +39 049 9201939
fax +39 049 9217549
info@sami-instruments.com
www.sami-instruments.com



